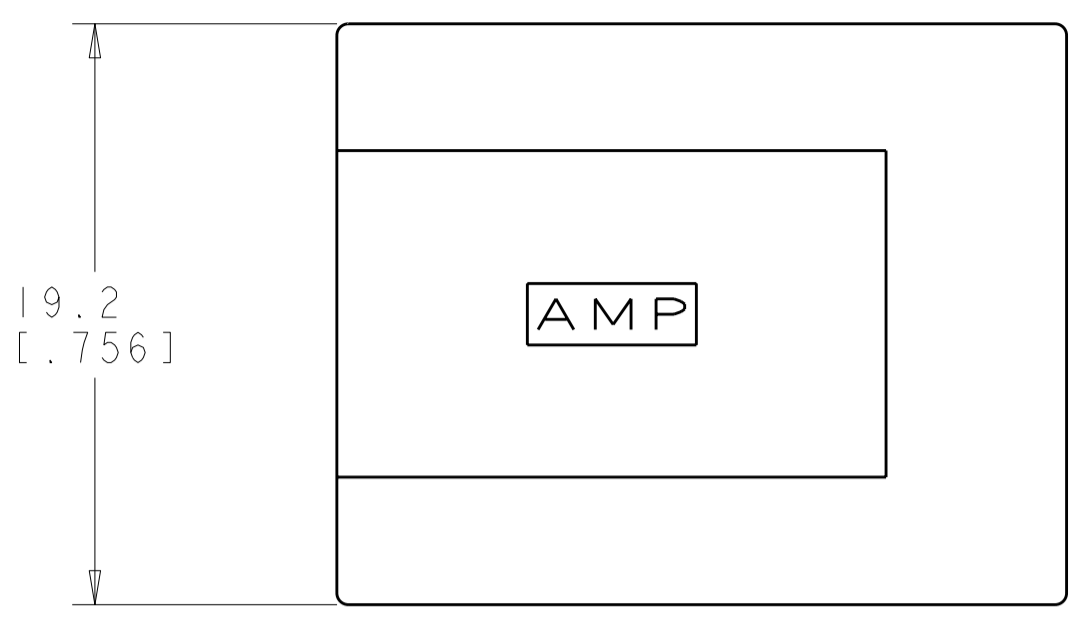
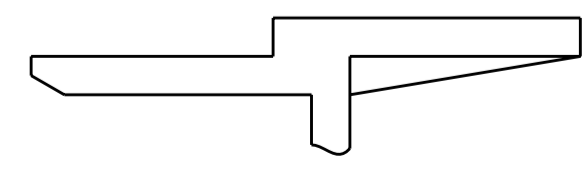
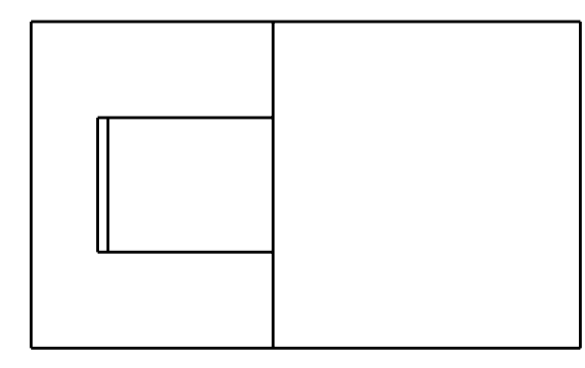
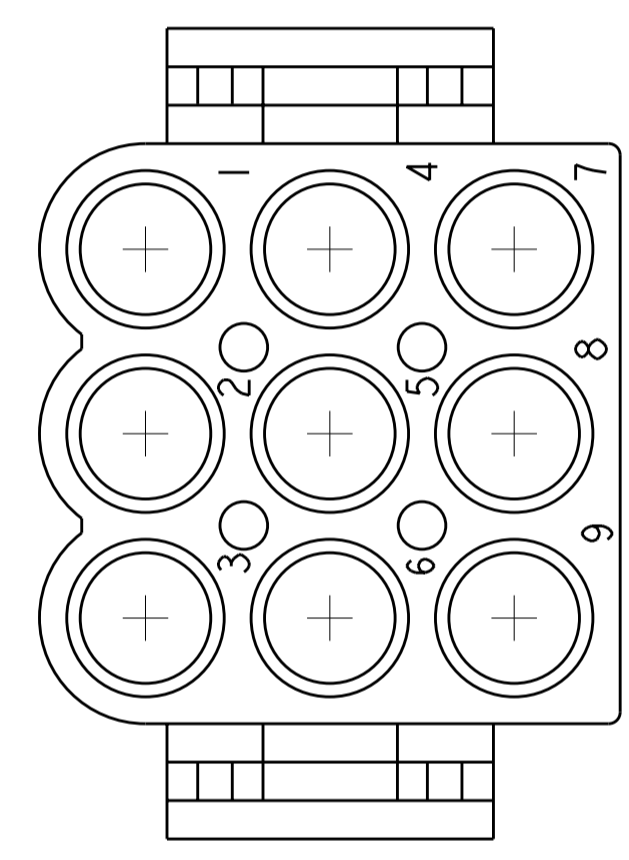
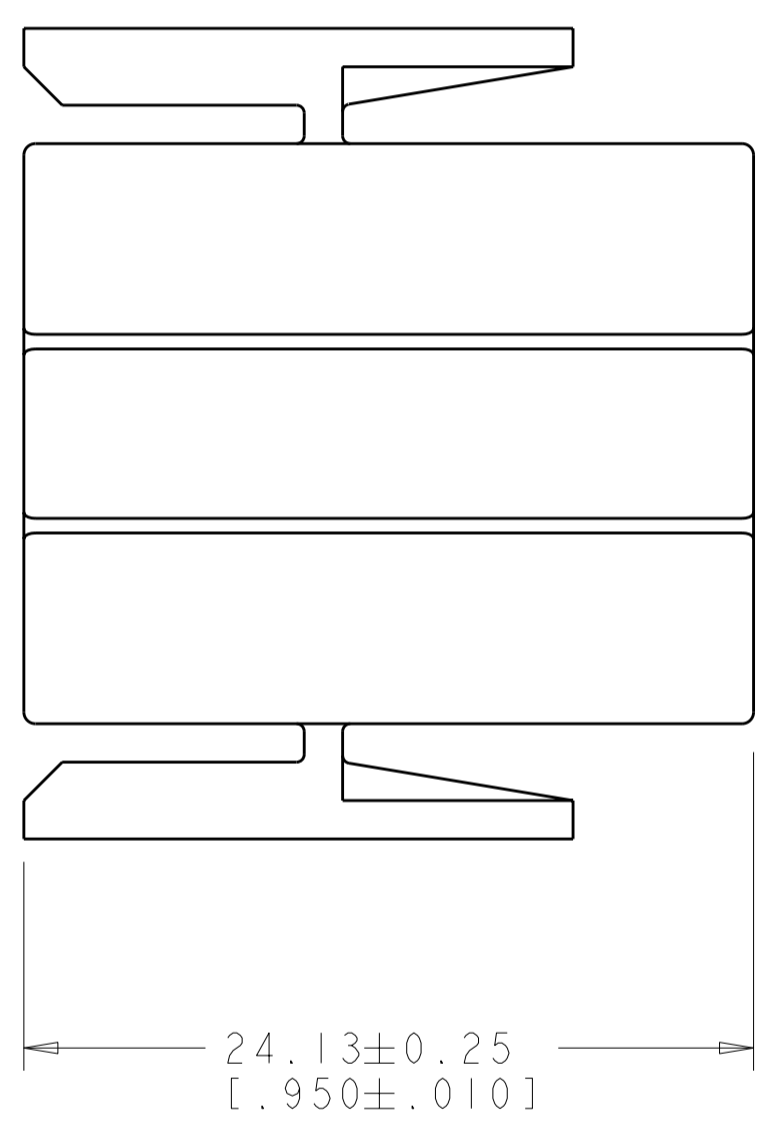
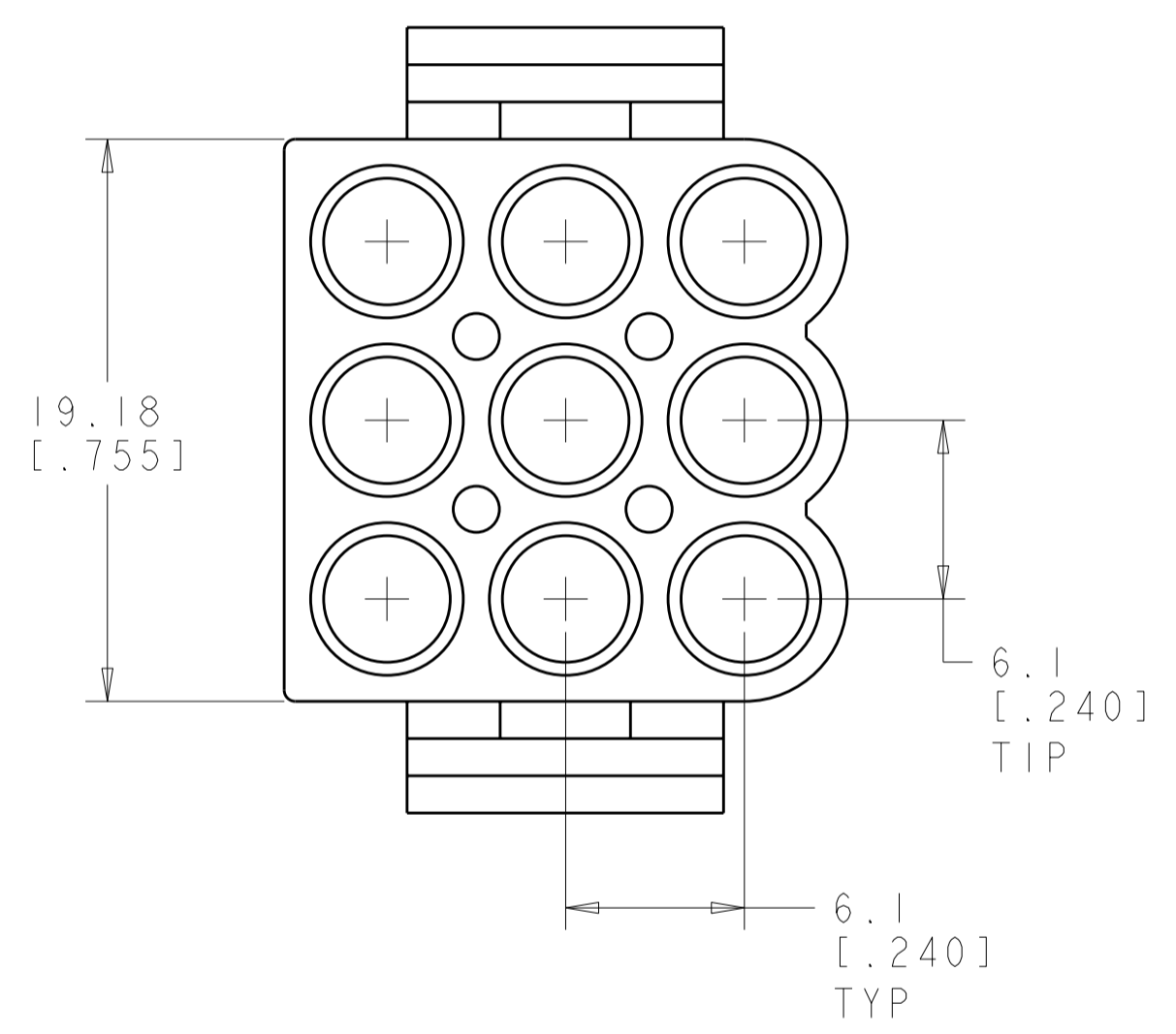


THIS DRAWING IS UNPUBLISHED. RELEASED FOR PUBLICATION 20
 © COPYRIGHT 20 BY TYCO ELECTRONICS CORPORATION. ALL RIGHTS RESERVED.

| LOC | DIST | REVISIONS | | | |
|-----|------|-------------|---------------|-----------|----------|
| P | LTR | DESCRIPTION | DATE | DWN | APVD |
| CM | 00 | E | ECO-08-005428 | 04MAR2008 | KW CC |
| | | | | | |
| | | | | | |



1. USE WITH CAP 480586.
2. ACCEPTS SOCKET 61626.
- 3 MATERIAL: NYLON UL94V-2, NATURAL.



OPTIONAL CONSTRUCTION



| | |
|-----------------------|-------------|
| 0.283 IN ³ | 1-480585-0 |
| VOLUME | PART NUMBER |

| | | | | |
|---|--|--------------------------------|--|------------------------|
| THIS DRAWING IS A CONTROLLED DOCUMENT FOR TYCO ELECTRONICS CORPORATION. IT IS SUBJECT TO CHANGE AND THE CONTROLLING ENGINEERING ORGANIZATION SHOULD BE CONTACTED FOR THE LATEST REVISION. | | DWN K. WHITAKER 21JUNE04 | Tyco Electronics Harrisburg, PA 17105-3608 | |
| DIMENSIONS: mm [INCHES] | | CHK D. COLEY 21JUNE04 | NAME PLUG, 9 CIRCUIT, .140 MATE-N-LOK(TM) | |
| TOLERANCES UNLESS OTHERWISE SPECIFIED: 0 PLC ± 1 PLC ± 2 PLC ±0.13 [.005] 3 PLC ± 4 PLC ± ANGLES ±0°30' FINISH | | APVD D. COLEY 21JUNE04 | RESTRICTED TO | |
| MATERIAL 3 | | PRODUCT SPEC - | SIZE A200779 | DRAWING NO C-480585 |
| | | APPLICATION SPEC - | SCALE 4:1 | |
| | | WEIGHT - | SHEET 1 OF 1 | |
| | | CUSTOMER DRAWING | REV E | |